

**TIMKEN****The Timken Company**

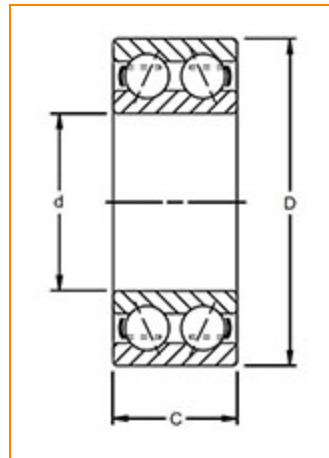
4500 Mt Pleasant St. NW

N. Canton, OH 44720

Phone: (234) 262-3000

E-Mail: [CustomerCAD@timken.com](mailto:CustomerCAD@timken.com) • Web site: [www.timken.com](http://www.timken.com)

Part Number 3209 ATN1/ZZ, Timken® Double Row Angular Contact Ball Bearings (3200, 3300)



[Dimensions](#) | [Specifications](#) | [Basic Load Ratings](#) | [Abutment and Fillet Dimensions](#)

## Dimensions

d - Bore	45.00 mm 1.7717 in
D - Outer Diameter	85.00 mm 3.3465 in
C - Ring Width	30.2 mm 1.1890 in
Contact Angle	30 °

## Specifications

Features	Shields
Ball Type	STEEL



Cage Type	Molded
Cage Material	Nylon
Bearing Weight	0.71 Kg 1.563 lb
Design Units	METRIC

### Basic Load Ratings

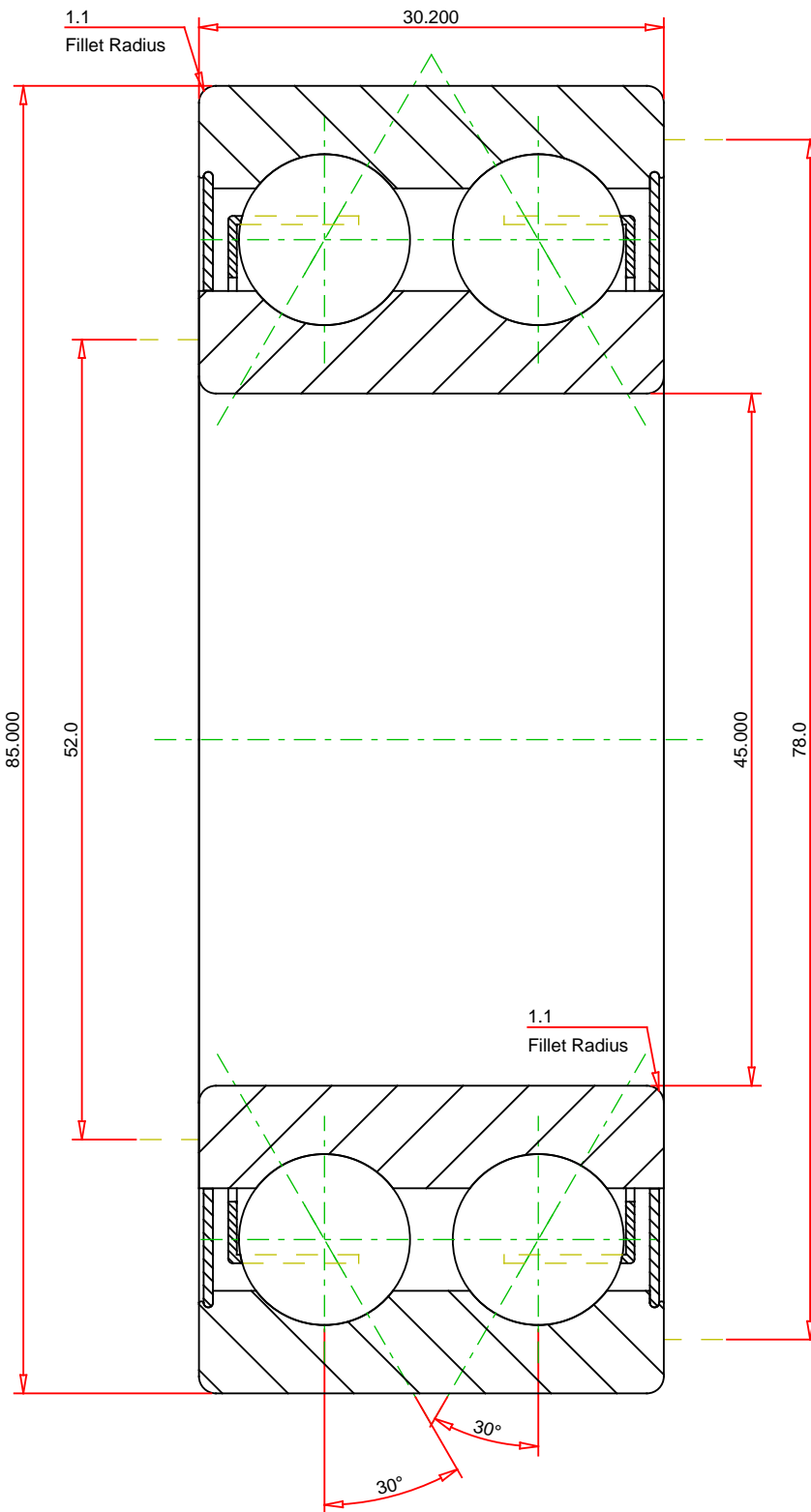
C0 - Static Radial Rating	32600 N 7327 lbf
C1 ISO - Dynamic Radial Rating	40000 N 8991 lbf

### Abutment and Fillet Dimensions

R - Inner Ring "To Clear" Radius <sup>1</sup>	1.10 mm 0.043 in
r - Outer Ring "To Clear" Radius <sup>2</sup>	1.10 mm 0.043 in
da - Inner Ring Backing Diameter	52.0 mm 2.047 in
Da - Outer Ring Backing Diameter	78.00 mm 3.0710 in

<sup>1</sup> Maximum housing fillet radius that bearing corners will clear.

<sup>2</sup> Maximum shaft fillet radius that bearing corners will clear.



**METRIC UNITS**

Number of Balls Per Row	10
Bearing Weight	0.710 kg

**TIMKEN**®

**THE TIMKEN COMPANY**  
NORTH CANTON, OHIO USA

<b>3209 ATN1/ZZ</b>	
Timken® Double Row Angular Contact Ball Bearings (3200, 3300)	
Dynamic Load Rating	40000 N
Static Load Rating	32600 N

Every reasonable effort has been made to ensure the accuracy of the information contained in this writing, but no liability is accepted for errors, omissions or for any other reason.

**FOR DISCUSSION ONLY**